

DATE ISSUED  
JULY 1, 2005

# ONTARIO BUILDING CODE

## CONSTRUCTION DESIGN INFORMATION

C.D.I. NO.  
D1.3

REVISIONS

ONE STOREY DETACHED  
WOOD FRAME GARAGE  
UP TO 50m.sq. (538ft.sq.)  
(NO BRICK VENEER OR PLUMBING PERMITTED)

O.B.C. REFERENCE  
PART 9

OVERHEAD DOORS

NUMBER \_\_\_\_\_  
SIZE \_\_\_\_\_W x \_\_\_\_\_H  
LINTEL SIZE (2) \_\_\_\_\_ x \_\_\_\_\_

MANDOOR YES  NO

LINTEL SIZE (2) \_\_\_\_\_ x \_\_\_\_\_

SIZE OF GARAGE \_\_\_\_\_W \_\_\_\_\_L

TYPE OF STRUCTURE

FRONT GABLE   
SIDE GABLE   
COTTAGE

WINDOW YES  NO   
OPENING SIZE \_\_\_\_\_W x \_\_\_\_\_H  
LINTEL SIZE (2) \_\_\_\_\_ x \_\_\_\_\_

ROOF SHEATHING THICKNESS

- PLYWOOD \_\_\_\_\_  
- OSB \_\_\_\_\_

'H' CLIPS

ENGINEERED ROOF TRUSSES  
YES  NO

RIDGE BOARD \_\_\_\_\_ x \_\_\_\_\_ (MIN. 50mm (2") GREATER IN DEPTH THAN COMMON RAFTERS)

NOTE: MIN. 38mm (1½")  
END BEARING FOR JOISTS  
AND RAFTERS

TYPE OF ROOFING ASPHALT SHINGLE   
OTHER \_\_\_\_\_

COLLAR TIES \_\_\_\_\_ x \_\_\_\_\_ @ \_\_\_\_\_ O.C.

RAFTERS \_\_\_\_\_ x \_\_\_\_\_ @ \_\_\_\_\_ O.C.

ROOF TIES \_\_\_\_\_ x \_\_\_\_\_ @ \_\_\_\_\_ O.C.

LAP SIDING OVER  
CONCRETE OR  
CAULK JOINT

REINFORCING IS OPTIONAL

CONCRETE MIN 32MPa @ 4650P.S.I  
WITH 5-8% AIR ENTRAINMENT

MIN 38mm (1½")  
CONCRETE  
COVER

FILL TO BE  
COMPACTED AND  
FREE OF ORGANIC  
MATERIALS

UNDISTURBED OR WELL  
COMPACTED SUBSOIL

DOUBLE TOP PLATE

STUDS \_\_\_\_\_ x \_\_\_\_\_ @ \_\_\_\_\_ O.C.

EXTERIOR SHEATHING (THICKNESS)  
- PLYWOOD \_\_\_\_\_  
- OSB \_\_\_\_\_

EXTERIOR FINISH \_\_\_\_\_

NO OPENINGS PERMITTED IN WALLS  
LESS THAN 1200mm (3'-11")  
FROM PROPERTY LINE

12.7mm (½") Ø ANCHOR BOLTS  
@ 2400mm (7'-10") O.C.

FINISHED GRADE

CONTINUOUS CONCRETE CURB  
YES  NO

PROPOSED HEIGHT

300mm (12")  
GRADE

300mm (12")

RECOMMENDED METHOD OF CONSTRUCTION

FLOATING SLAB  
YES  NO

MIN 150mm (6")  
FOR WOOD SIDING  
MIN. 200mm (8")

NAME: \_\_\_\_\_

ADDRESS: \_\_\_\_\_

DATE ISSUED  
JULY 1, 2005

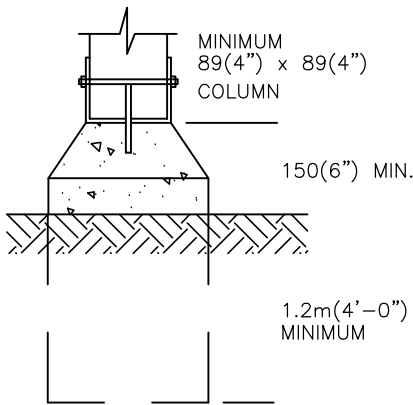
# ONTARIO BUILDING CODE CONSTRUCTION DESIGN INFORMATION

C.D.I. NO.  
E1.2

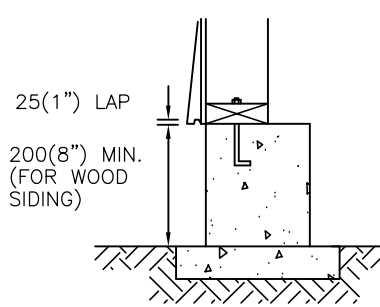
REVISIONS

O.B.C. REFERENCE  
PART 9

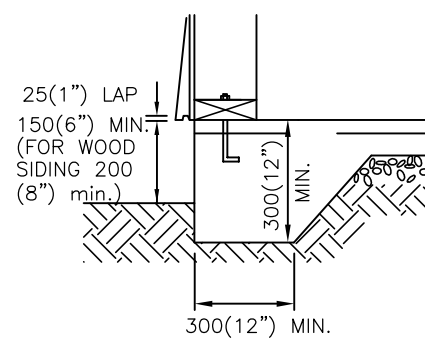
## FOUNDATION DETAIL SHEET



PIER TYPE FOUNDATION FOR  
CARPORT, PATIO AND PORCH ROOFS



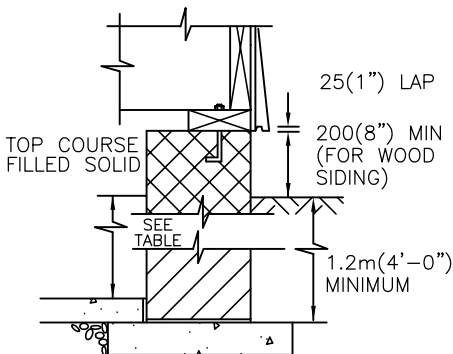
CONTINUOUS CONCRETE CURB  
OR MASONRY  
UP TO 538sq.ft. (50m<sup>2</sup>)



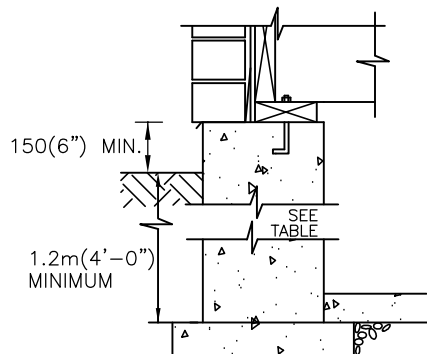
CONTINUOUS CONCRETE FOOTING  
(FLOATING SLAB)  
UP TO 538sq.ft. (50m<sup>2</sup>)

FOR DETACHED BUILDINGS ONLY

FOR DETACHED BUILDINGS ONLY

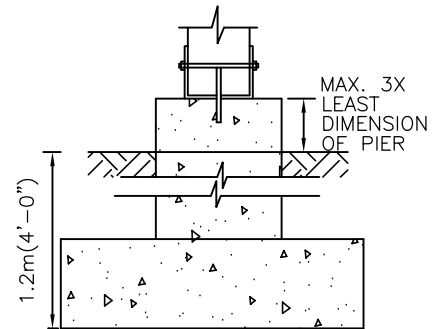


CONCRETE BLOCK FOUNDATION



POURED CONCRETE FOUNDATION

MIN. 190(7 1/2") x 190(7 1/2")  
CONCRETE PIER OR MIN. 290(11 3/8") x  
290(11 3/8") OR 240(9 1/2") x 380(15")  
UNIT MASONRY PIER



PIER TYPE FOUNDATION WITH FOOTING

**NOTES:**

- EXTERIOR FOUNDATION WALL SHALL EXTEND NOT LESS THAN 150(6") ABOVE GRADE.
- ALL WOOD IN CONTACT WITH GROUND OR IN CONTACT WITH CONCRETE WHICH IS IN CONTACT WITH GROUND TO BE PROTECTED WITH DAMPPROOFING OR USE WOOD TREATED WITH MOISTURE RESISTANT PRESERVATIVE.
- EXTERIOR SURFACES OF CONCRETE BLOCK FOUNDATION WALLS ABOVE GRADE LEVEL SHALL HAVE TOOLED JOINTS, OR SHALL BE RENDERED, PARGED OR OTHERWISE SUITABLY FINISHED.
- ALL FORM TIES SHALL BE REMOVED AT LEAST FLUSH WITH CONCRETE SURFACE AND HOLES SHALL BE SEALED WITH MORTAR OR WATERPROOFING MATERIAL.
- CONCRETE BLOCK WALLS ENCLOSING BASEMENT SHALL HAVE 6(1/4") PARGING APPLIED ON EXTERIOR SURFACE BELOW GRADE AND SHALL BE DAMPPROOFED WITH HEAVY COAT OF BITUMEN APPLIED TO EXTERIOR SURFACE.

- THICKNESS OF FOOTINGS SHALL NOT BE LESS THAN THE PROJECTION BEYOND THE FACE OF THE SUPPORTING WALL, IN NO CASE SHALL FOOTING THICKNESS BE LESS THAN 100(4").
- SILL PLATE ANCHORED WITH 13(1/2") DIA. BOLTS @ 2.4m (7'-10") O.C. MAS., SET 100(4") INTO CONCRETE.

- INCREASE FOOTING WIDTH 65(2 5/8") FOR EACH STOREY OF BRICK VENEER SUPPORTED.

**MINIMUM FOOTING SIZES**

NO. OF FLOORS SUPPORTED	MINIMUM WIDTH OF STRIP FOOTINGS mm (in)		MIN. FOOTING AREA FOR COLUMNS SPACE 3m (9'-10") O.C. m <sup>2</sup> (ft <sup>2</sup> )
	SUPPORTING EXT. WALLS	SUPPORTING INT. WALLS	
1	250 (9 7/8")	200 (7 7/8")	0.4 (4.3)
2	350 (13 3/4")	350 (13 3/4")	0.75 (8.1)
3	450 (17 3/4")	500 (19 3/4")	1.0 (10.9)

THICKNESS OF FOUNDATION	TYPE	THICKNESS	HEIGHT ABOVE BASEMENT FLOOR	
		MIN. WALL THICKNESS mm (in)	WALL LATERALLY UNSUPPORTED AT TOP M (ft.in.)	WALL LATERALLY SUPPORTED AT TOP M (ft.in.)
15 MPa CONCRETE (2200 psi)	150 (5 7/8")	150 (5 7/8")	0.8 (2'-7")	1.5 (4'-11")
	200 (7 7/8")	200 (7 7/8")	1.2 (3'-11")	2.1 (6'-11")
	250 (9 7/8")	250 (9 7/8")	1.4 (4'-7")	2.3 (7'-7")
	300 (11 3/4")	300 (11 3/4")	1.5 (4'-11")	2.3 (7'-7")
20 MPa CONCRETE (2900 psi)	150 (5 7/8")	150 (5 7/8")	0.8 (2'-7")	1.8 (5'-11")
	200 (7 7/8")	200 (7 7/8")	1.2 (3'-11")	2.3 (7'-7")
	250 (9 7/8")	250 (9 7/8")	1.4 (4'-7")	2.3 (7'-7")
	300 (11 3/4")	300 (11 3/4")	1.5 (4'-11")	2.3 (7'-7")
MASONRY (NOM. SIZE)	150 (5 7/8")	150 (5 7/8")	0.6 (2'-0")	1.8 (2'-7")
	200 (7 7/8")	200 (7 7/8")	0.9 (2'-11")	1.2 (3'-11")
	250 (9 7/8")	250 (9 7/8")	1.2 (3'-11")	1.8 (5'-11")
	300 (11 3/4")	300 (11 3/4")	1.4 (4'-7")	2.2 (7'-3")

DATE ISSUED  
JULY 1, 2005

# ONTARIO BUILDING CODE CONSTRUCTION DESIGN INFORMATION

C.D.I. NO.  
S1.8

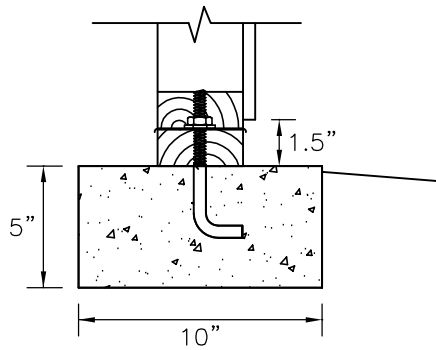
REVISIONS

## GARDEN SHED ANCHORAGE SUGGESTED DETAILS\*

O.B.C. REFERENCE  
PART 9

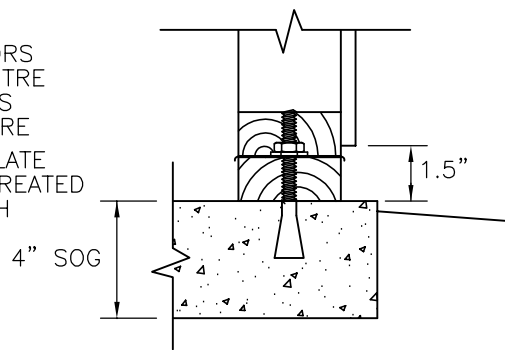
\*THESE SUGGESTED ANCHORAGE DETAILS APPLY TO BUILDINGS NOT MORE THAN 14' IN WIDTH AND ARE ACCESSORY STORAGE FOR SINGLE DWELLING UNITS.

### CONCRETE CURB MUD SILL

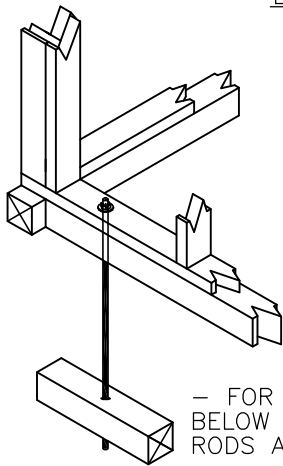


- MIN. 1/2" ANCHORS AT 7'-10" ON CENTRE
- OR 5/16" ANCHORS AT 4'-0" ON CENTRE
- SEPARATE TOP PLATE FROM PRESSURE TREATED BOTTOM PLATE WITH 4 MIL POLY

### SLAB-ON-GRADE MUD SILL

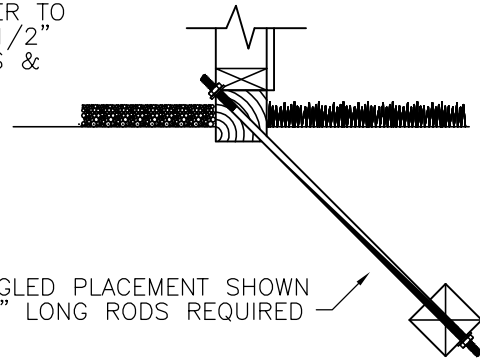


### BURIED 4 x 4 x 18" LONG PRESSURE-TREATED ANCHORS



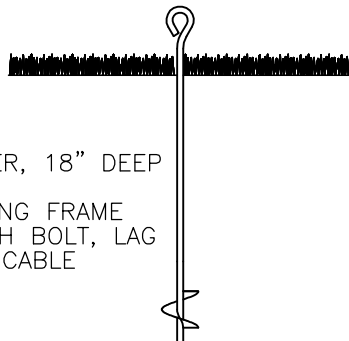
- ANCHOR AT EACH CORNER OF BUILDING
- CONNECT BURIED MEMBER TO FRAME OF BUILDING WITH 1/2" DIA. THREADED RODS, NUTS & WASHERS

- FOR PLACEMENT DIRECTLY BELOW MUD SILL, MIN. 24" LONG RODS ARE REQUIRED



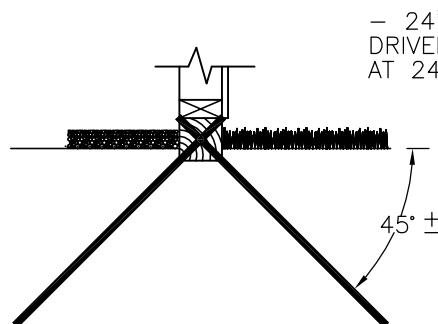
FOR ANGLED PLACEMENT SHOWN MIN. 36" LONG RODS REQUIRED

### HELICAL OR AUGER STYLE EARTH ANCHOR



- MIN. 3" DIA. AUGER, 18" DEEP
- FASTEN TO BUILDING FRAME EACH CORNER WITH BOLT, LAG SCREW OR STEEL CABLE

### 1/2" DIA. STEEL ROD ANCHORAGE



- 24" LONG RODS DRIVEN IN PAIRS AT 24" ON CENTRE