

DATE ISSUED
JULY 1, 2005

ONTARIO BUILDING CODE

C.D.I. NO.
D1.5

CONSTRUCTION DESIGN INFORMATION

REVISIONS

DETACHED WOOD FRAME OR MASONRY
GARAGE OVER 70m s.q. (750 sq.)

O.B.C. REFERENCE
PART 9

ONE STOREY, NO PLUMBING

SIZE OF GARAGE _____W _____L
SIZE OF OVERHEAD GARAGE DOORS _____ x _____
NO. OF OVERHEAD DOORS _____

TYPE OF ROOF STRUCTURE FRONT GABLE
SIDE GABLE
COTTAGE

MASONRY ABOVE GARAGE DOORS
LINTEL OF BEAM SIZE OVER GARAGE DOOR _____

NOTE:
MIN. 38mm (1½") END BEARING
FOR JOISTS AND RAFTERS

WINDOW/MAN DOOR OPENING SIZE _____ x _____
 MASONRY LINTELS (____) _____ x _____ x _____

ROOF SHEATHING THICKNESS
- PLYWOOD _____ 'H' CLIPS
- OSB _____

RIDGE BOARD 2" x _____

ROOFING TYPE: ASPHALT OTHER _____

ENGINEERED ROOF TRUSSES
YES NO

COLLAR TIES _____ x _____ @ _____ O.C.

RAFTERS _____ x _____ @ _____ O.C.

PITCH

ROOF TIES _____ x _____ @ _____ O.C.

MIN. 38x89 (2x4) TOP PLATE
ANCHORED WITH 12.7mm (½")
BOLTS AT 2400mm (7'-10") O.C.

DOUBLE TOP PLATE

GROUT FILL CORE AT
ANCHORAGE LOCATION

STUDS
_____ x _____ @ _____ O.C.

BLOCK SIZE _____

EXTERIOR SHEATHING THICKNESS
- PLYWOOD _____
- OSB _____

BOTTOM PLATE ANCHORED
AT 2400mm (7'-10") O.C. WITH
12.7mm (½") Ø BOLTS

EXTERIOR FINISH
(IF BRICK VENEER SEE CDI E1.5)

MIN. 76mm (3") CONCRETE FLOOR SLAB
MIN. 32MPa (4650P.S.I) WITH
5-8% AIR ENTRAINMENT

NON-COMBUSTIBLE FLOOR

150mm (6") MIN.
200mm (8") MIN. FOR WOOD SIDING
GRADE

PROPOSED HEIGHT

FOUNDATION
CONCRETE BLOCK _____ THICKNESS
POURED CONCRETE _____ THICKNESS

1200(4'-0")
MIN

COMPACTED FILL FREE
OF ORGANIC MATERIAL

1200mm
(4'-0") MIN.

CONCRETE FOOTING _____ x _____

NOTE:
FOR FOUNDATION REQUIREMENTS
SEE DETAIL SHEET E1.2

NOTES:

1. NO OPENINGS ARE PERMITTED IN A WALL LESS THAN 1200mm (3'-11") AWAY FROM PROPERTY LINE.

NAME: _____

ADDRESS: _____

DATE ISSUED
JULY 1, 2005

ONTARIO BUILDING CODE

CONSTRUCTION DESIGN INFORMATION

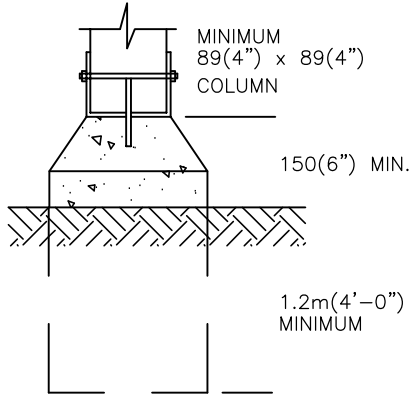
C.D.I. NO.
E1.2

REVISIONS

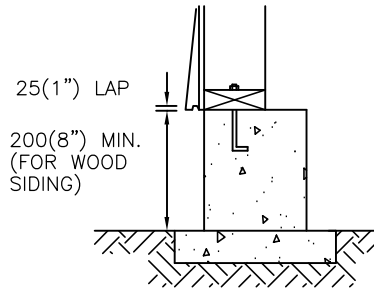
O.B.C. REFERENCE
PART 9

FOUNDATION DETAIL SHEET

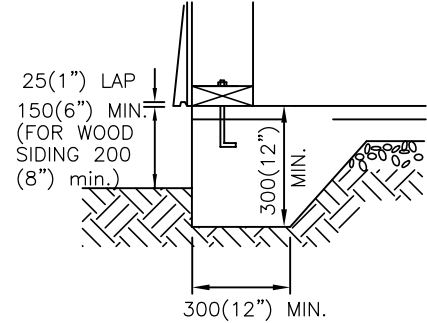
AUTHORITY REFERENCE
O.B.C. 9.15.



PIER TYPE FOUNDATION FOR
CARPORT, PATIO AND PORCH ROOFS



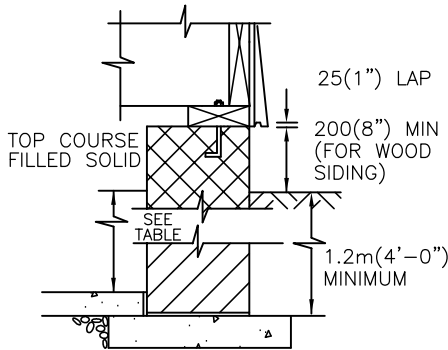
CONTINUOUS CONCRETE CURB
OR MASONRY
UP TO 538sq.ft. (50m2)



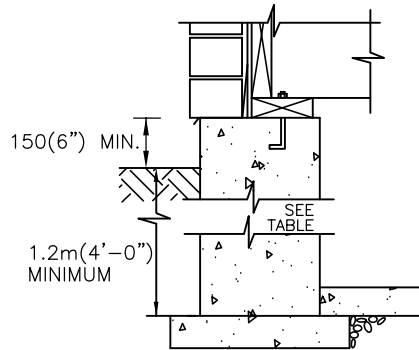
CONTINUOUS CONCRETE FOOTING
(FLOATING SLAB)
UP TO 538sq.ft. (50m2)

FOR DETACHED BUILDINGS ONLY

FOR DETACHED BUILDINGS ONLY

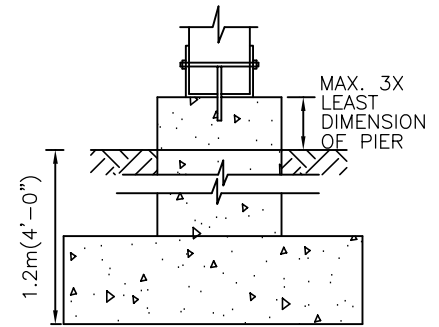


CONCRETE BLOCK FOUNDATION



POURED CONCRETE FOUNDATION

MIN. 190(7 1/2") x 190(7 1/2")
CONCRETE PIER OR MIN. 290(11 3/8") x
290(11 3/8") OR 240(9 1/2") x 380(15")
UNIT MASONRY PIER



PIER TYPE FOUNDATION WITH FOOTING

NOTES:

- EXTERIOR FOUNDATION WALL SHALL EXTEND NOT LESS THAN 150(6") ABOVE GRADE.
- ALL WOOD IN CONTACT WITH GROUND OR IN CONTACT WITH CONCRETE WHICH IS IN CONTACT WITH GROUND TO BE PROTECTED WITH DAMPPROOFING OR USE WOOD TREATED WITH MOISTURE RESISTANT PRESERVATIVE.
- EXTERIOR SURFACES OF CONCRETE BLOCK FOUNDATION WALLS ABOVE GRADE LEVEL SHALL HAVE TOOLED JOINTS, OR SHALL BE RENDERED, PARGED OR OTHERWISE SUITABLY FINISHED.
- ALL FORM TIES SHALL BE REMOVED AT LEAST FLUSH WITH CONCRETE SURFACE AND HOLES SHALL BE SEALED WITH MORTAR OR WATERPROOFING MATERIAL.
- CONCRETE BLOCK WALLS ENCLOSING BASEMENT SHALL HAVE 6(1/4") PARGING APPLIED ON EXTERIOR SURFACE BELOW GRADE AND SHALL BE DAMPPROOFED WITH HEAVY COAT OF BITUMEN APPLIED TO EXTERIOR SURFACE.

- THICKNESS OF FOOTINGS SHALL NOT BE LESS THAN THE PROJECTION BEYOND THE FACE OF THE SUPPORTING WALL, IN NO CASE SHALL FOOTING THICKNESS BE LESS THAN 100(4").
- SILL PLATE ANCHORED WITH 13(1/2") DIA. BOLTS @ 2.4m (7'-10") O.C. MAS., SET 100(4") INTO CONCRETE.

- INCREASE FOOTING WIDTH 65(2 5/8") FOR EACH STOREY OF BRICK VENEER SUPPORTED.

MINIMUM FOOTING SIZES

NO. OF FLOORS SUPPORTED	MINIMUM WIDTH OF STRIP FOOTINGS mm (in)		MIN. FOOTING AREA FOR COLUMNS SPACE 3m (9'-10") O.C. m ² (ft ²)
	SUPPORTING EXT. WALLS	SUPPORTING INT. WALLS	
1	250 (9 7/8")	200 (7 7/8")	0.4 (4.3)
2	350 (13 3/4")	350 (13 3/4")	0.75 (8.1)
3	450 (17 3/4")	500 (19 3/4")	1.0 (10.9)

THICKNESS OF FOUNDATION	TYPE	THICKNESS	HEIGHT ABOVE BASEMENT FLOOR	
		MIN. WALL THICKNESS mm (in)	WALL LATERALLY UNSUPPORTED AT TOP M (ft.in.)	WALL LATERALLY SUPPORTED AT TOP M (ft.in.)
15 MPa CONCRETE (2200 psi)	150 (5 7/8")	0.8 (2'-7")	1.5 (4'-11")	
	200 (7 7/8")	1.2 (3'-11")	2.1 (6'-11")	
	250 (9 7/8")	1.4 (4'-7")	2.3 (7'-7")	
	300 (11 3/4")	1.5 (4'-11")	2.3 (7'-7")	
20 MPa CONCRETE (2900 psi)	150 (5 7/8")	0.8 (2'-7")	1.8 (5'-11")	
	200 (7 7/8")	1.2 (3'-11")	2.3 (7'-7")	
	250 (9 7/8")	1.4 (4'-7")	2.3 (7'-7")	
	300 (11 3/4")	1.5 (4'-11")	2.3 (7'-7")	
MASONRY (NOM. SIZE)	150 (5 7/8")	0.6 (2'-0")	1.8 (2'-7")	
	200 (7 7/8")	0.9 (2'-11")	1.2 (3'-11")	
	250 (9 7/8")	1.2 (3'-11")	1.8 (5'-11")	
	300 (11 3/4")	1.4 (4'-7")	2.2 (7'-3")	

DATE ISSUED
JULY 1, 2005

ONTARIO BUILDING CODE

CONSTRUCTION DESIGN INFORMATION

C.D.I. NO.
E1.5

REVISIONS

O.B.C. REFERENCE
PART 9

BRICK VENEER FRAME WALL CROSS - SECTION

WALL SHEATHING

STUD SPACING	SHEATHING
300 (12") O.C.	9.5 (3/8") FIBRE BD. 9.5 (3/8") EXT. TYPE GYP. BD. 6 (1/4") EXTERIOR PLYWOOD 6.35 (1/4") WAFER OR OSB BD
600 (24") O.C.	1.2 (7/16") FIBRE BD. 12.7 (1/2") EXT. TYPE GYP. BD. 7.5 (5/16") PLYWOOD 7.9 (5/16") WAFER OR OSB BD.

INSULATION

CONTINUOUS APPROVED AIR BARRIER
MIN. RSI 3.00 (R-17) IN WALLS AND HEADER SPACE
CONTINUOUS 6MIL POLY VAPOUR BARRIER
ON WARM SIDE

BRICK VENEER

- MAX. CORBEL (OVERHANG) THE LESSER OF 1/3 THE VENEER THICKNESS OR 1"
- 25.4 (1") AIR SPACE BETWEEN BRICK VENEER & SHEATHING FOR STUD WALL
- 0.76 (0.030") THICK CORROSION - RESISTANT VENEER TIES SPACED AS PER TABLE
- SHEATHING MEMBRANE AND/OR APPROVED SHEATHING
- APPROVED BASE FLASHING EXTENDING MIN. 150 (6") UP THE WOOD FRAME WALL BEHIND THE SHEATHING MEMBRANE
- WEEP HOLES @ 800 (2'-7") O.C. MAX ALONG BASE OF BRICK VENEER
- FLASHING OVER HEAD OF WINDOW & DOOR OPENINGS WHERE THE DISTANCE FROM OPENING TO EAVE EXCEEDS 1/4 THE EAVE OVERHANG
- FLASHING BENEATH JOINTED MASONRY WINDOW SILLS

STUDS (EXTERIOR WALLS)

SUPPORTING LOAD:	SIZE OF STUDS	SPACING	MAX UNSUPPORTED HEIGHT
ROOF ONLY	38(2") x 89(4")	600(24") O.C.	3 (9'-10")
ROOF PLUS ONE FLOOR	38(2") x 89(4") 38(2") x 140(6")	400(16") O.C. 600(24") O.C.	3 (9'-10") 3 (9'-10")
ROOF PLUS TWO FLOORS	38(2") x 89(4") 38(2") x 140(6")	300(12") O.C. 400(16") O.C.	3 (9'-10") 3.6 (11'-10")

BRICK VENEER LINTELS

SIZE	SPAN
90 (3 1/2") x 90 (3 1/2") x 6 (1/4")	2.47 (8'-1")
100 (4") x 90 (3 1/2") x 6 (1/4")	2.66 (8'-9")
125 (5") x 90 (3 1/2") x 8 (5/16")	3.31 (10'-10")
125 (5") x 90 (3 1/2") x 10 (3/8")	3.48 (11'-5")

STEEL LINTELS MIN. BEARING 150 (6") @ END SUPPORTS

WOOD LINTEL SPANS (EXTERIOR WALLS) *

SUPPORTING LOAD:	SIZE OF LINTEL	MAX. SPAN
ROOF WITH/ WITHOUT ATTIC STORAGE	2- 38(2") x 89(4")	1.11 (3'-7")
	2- 38(2") x 140(6")	1.66 (5'-6")
	2- 38(2") x 184(8")	2.02 (6'-7")
	2- 38(2") x 235(10")	2.47 (8'-1")
	2- 38(2") x 305(12")	2.87 (9'-4")
ROOF WITH/ WITHOUT ATTIC STORAGE PLUS ONE FLOOR	2- 38(2") x 89(4")	0.96 (3'-1")
	2- 38(2") x 140(6")	1.37 (4'-5")
	2- 38(2") x 184(8")	1.67 (5'-5")
	2- 38(2") x 235(10")	2.04 (6'-8")
	2- 38(2") x 305(12")	2.36 (7'-8")

*32' ROOF SPAN, 16' JOIST SPAN

WINDOWS

- WINDOWS ARE TO CONFORM TO STANDARDS REFERENCED IN THE BUILDING CODE
- CAULK ALL JOINTS AROUND FRAME, FLASHING, AT HEAD & UNDER BRICK SUB-SILL.
- FILL SPACE BETWEEN WINDOW FRAME AND OPENING WITH INSULATION

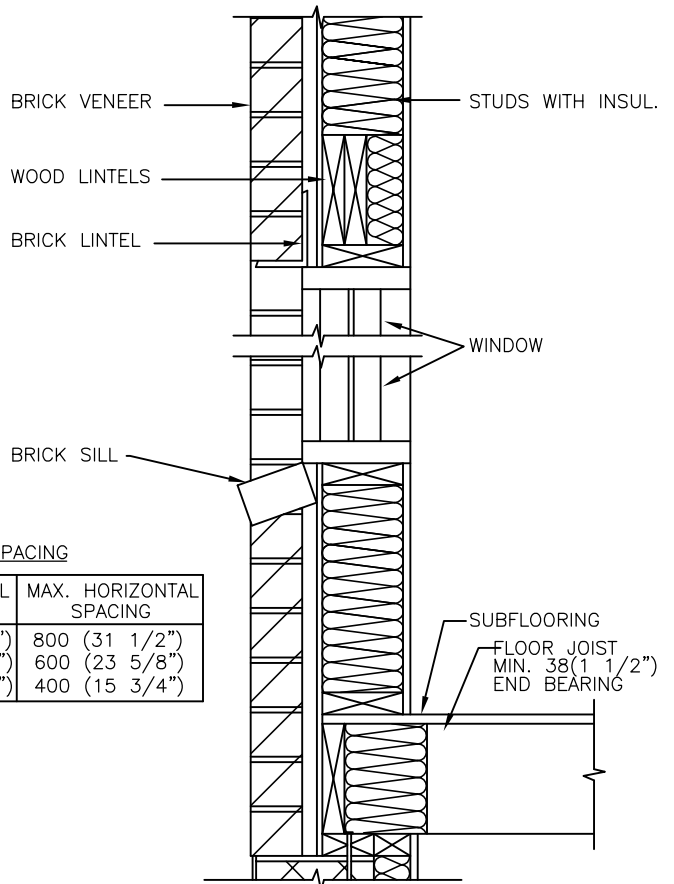
SUB FLOORING

JOIST SPACING	PLYWOOD & O2 GRADE OSB	O-1 GRADE OSB & R1 GRADE WAFERBOARD
400 (16")	15.5 (5/8")	15.9 (5/8")
500 (20")	15.5 (5/8")	15.9 (5/8")
600 (24")	18.5 (3/4")	19.0 (3/4")

- EDGES SUPPORTED BY 38(2") x 38(2") BLOCKING OR T & G EDGES
- 6 (1/4") UNDERLAY MAYBE REQ'D FOR SOME FLOORING/SUBFLOORING COMBINATION
- FLOOR JOISTS 38 (1 1/2") MIN. END BEARING
- 38(2") x 89(4") SILL PLATE ANCHORED TO FOUNDATION WALL WITH 12.7 (1/2") DIA. BOLTS @ 2400 (7'-10") O.C.
- MIN. EMBEDMENT 100 (4")
- PROVIDE CAULKING OR GASKET BETWEEN PLATE AND FOUNDATION WALL.

INTERIOR FINISHES

MAX. FLAME SPREAD RATING 150 FOR ALL INTERIOR FINISHES



VENEER TIE SPACING

MAX. VERTICAL SPACING	MAX. HORIZONTAL SPACING
400 (15 3/4")	800 (31 1/2")
500 (19 3/4")	600 (23 5/8")
600 (23 5/8")	400 (15 3/4")