



August 11, 2010

**ADDENDUM #1**  
**T10-120 Westmount Pumping Station - Electrical Upgrades**

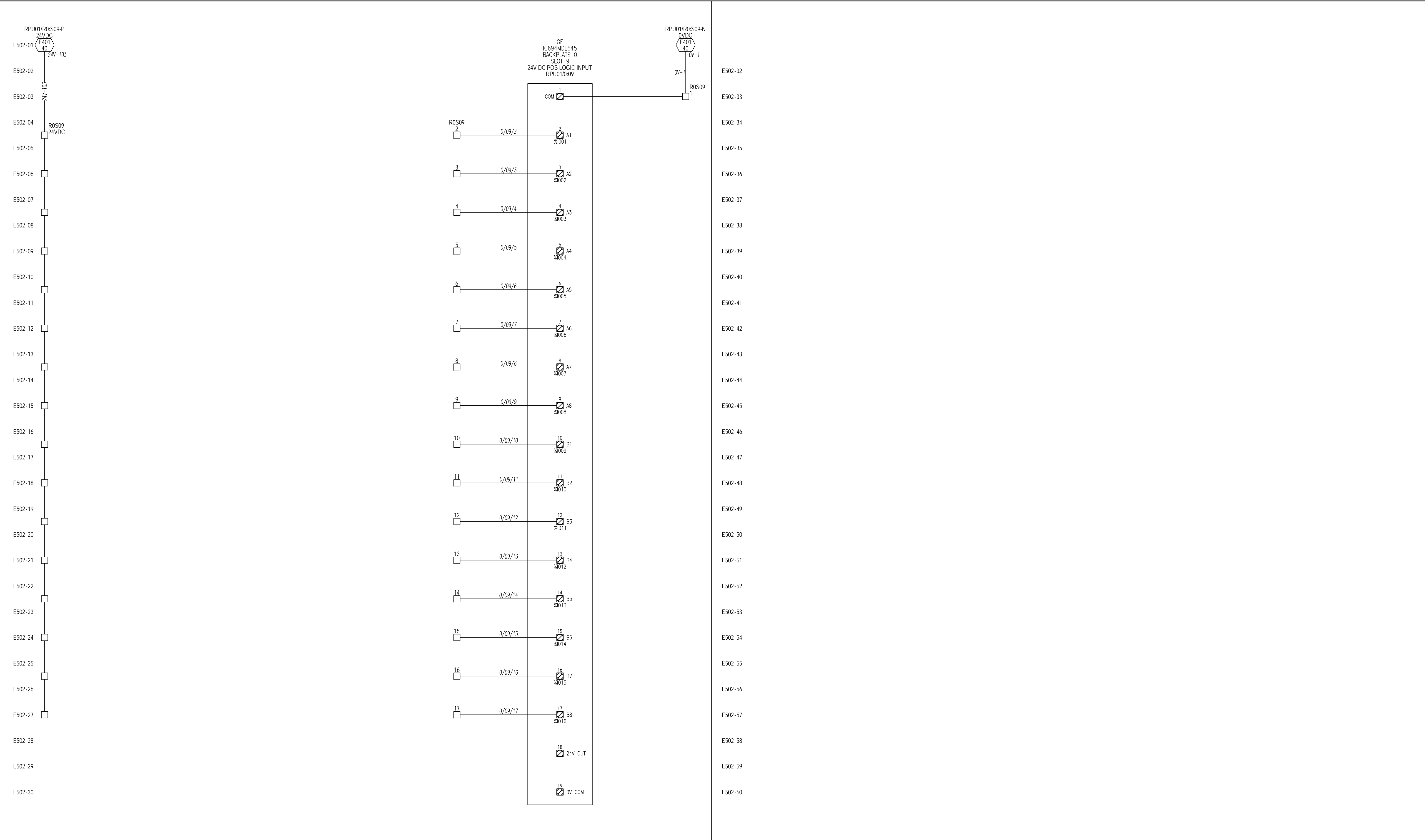
Please see the attached two (2) drawings.

Failure to acknowledge receipt of Addendum #1 on the Form of Tender will result in your bid being rejected.

Thank you for your continued interest in this request for tender.

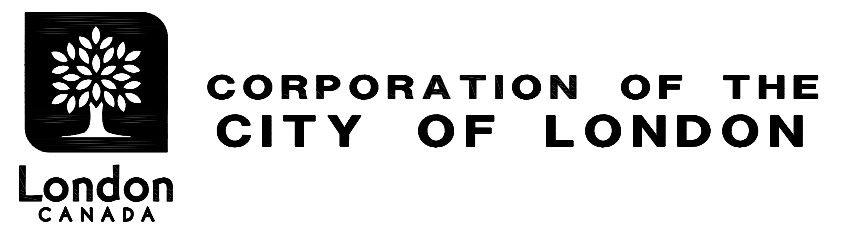
John Freeman, C.P.P.  
Manager of Purchasing and Supply

c.c. File T10-120



W:\16500608 - Westmount - electrical upgrades\design\drawing\electrical\16500608-E502.dwg  
 2010-07-27 02:37PM By: eschroder

EXISTING SERVICES	AS CONSTRUCTED SERVICES	COMPLETION	DETAILS	No.	DATE (YY/MM/DD)	CONSULTANT	CONSULTANT OR DIVISION	ENGINEER'S STAMP	SCALE	TITLE	PROJECT No.

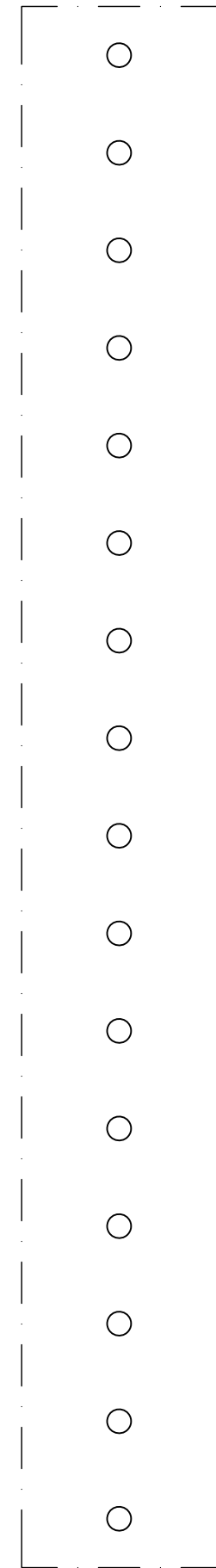
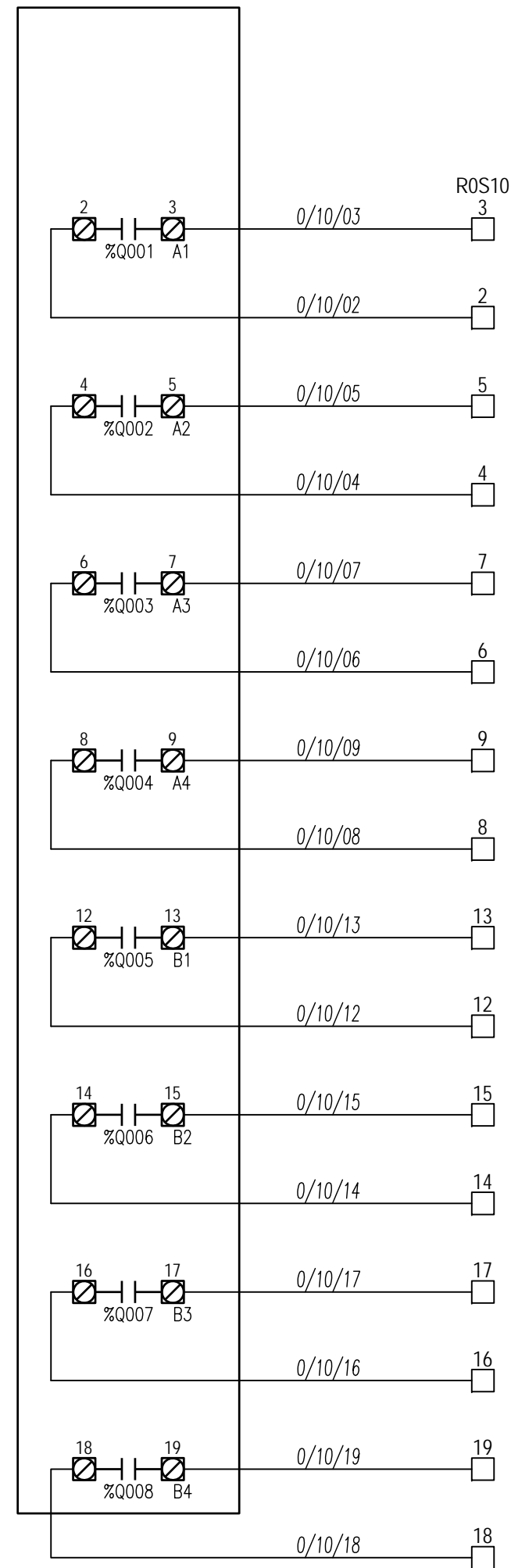


Project No.	
SHEET No.	

RPU01:CPL  
 GE  
 IC694MDL930  
 RACK 0  
 SLOT 10  
 ISO RELAY OUT (NO)  
 RPU01/0:10

RPU01:CPL FIELD

E-601-01  
E-601-02  
E-601-03  
E-601-04  
E-601-05  
E-601-06  
E-601-07  
E-601-08  
E-601-09  
E-601-10  
E-601-11  
E-601-12  
E-601-13  
E-601-14  
E-601-15  
E-601-16  
E-601-17  
E-601-18  
E-601-19  
E-601-20  
E-601-21  
E-601-22  
E-601-23  
E-601-24  
E-601-25  
E-601-26  
E-601-27  
E-601-28  
E-601-29  
E-601-30



E-601-31  
E-601-32  
E-601-33  
E-601-34  
E-601-35  
E-601-36  
E-601-37  
E-601-38  
E-601-39  
E-601-40  
E-601-41  
E-601-42  
E-601-43  
E-601-44  
E-601-45  
E-601-46  
E-601-47  
E-601-48  
E-601-49  
E-601-50  
E-601-51  
E-601-52  
E-601-53  
E-601-54  
E-601-55  
E-601-56  
E-601-57  
E-601-58  
E-601-59  
E-601-60

W:\165500608 - Westmount - electrical upgrades\design\drawing\electrical\pan\165500608-E601.dwg 2010-07-27 11:58AM By: sstevanc

EXISTING SERVICES	DRAWING #, SOURCE	DATE	AS CONSTRUCTED SERVICES	COMPLETION	DETAILS	No.	REVISIONS	DATE (YY.MM.DD)	CONSULTANT	
					DESIGN	SSS	A	ISSUED FOR CLIENT REVIEW	10.07.22	STANTEC
					DRAWN BY	OS	B	ISSUED FOR TENDER	10.08.03	STANTEC (SSS)
					CHECKED	GT				
					APPROVED	SSS				
					DATE	10.07.15				
						(YY.MM.DD)				


CONSULTANT OR DIVISION



Project No. 165500608

Stantec Consulting Ltd.  
 171 Queens Avenue  
 London ON Canada  
 N6A 5J7  
 Tel. 519.645.2007  
 Fax. 519.645.6575  
 www.stantec.com

ENGINEER'S STAMP

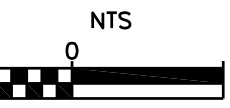


LICENCED PROFESSIONAL ENGINEER  
 S. STEVANC  
 90483983  
 AUG 3, 2010  
 PROVINCE OF ONTARIO



CORPORATION OF THE  
 CITY OF LONDON

SCALE



NTS

TITLE

WESTMOUNT PUMPING STATION  
 ELECTRICAL UPGRADES

PANEL RPU01:CPL  
 DISCRETE OUTPUTS SCHEMATIC DIAGRAM

PROJECT No. EW-3406

SHEET No. WWES  
 RPU01-E601

PLAN FILE No.